

INSTALLATION INSTRUCTIONS

F-150 Pickup
T-FDFSES2-04S-PC

Tools Required:

Short phillips screwdriver
Power drill/driver
1/8" drill bit 9/16" wrench
5/16" socket 5/8" wrench

Personnel Required: Two (2) people

TruckVault Inc
(800) 967-8107
www.truckvault.com

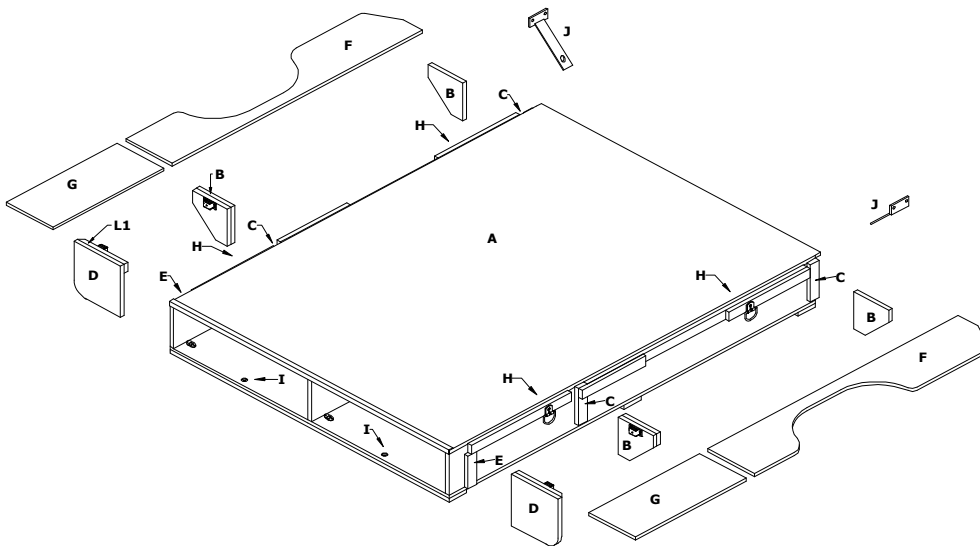
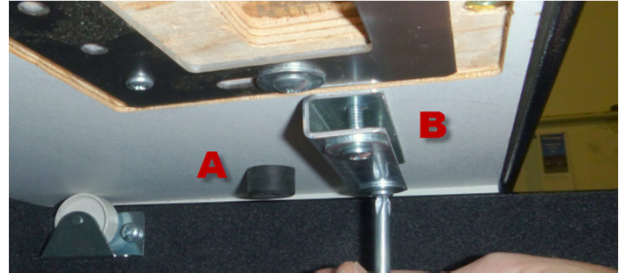
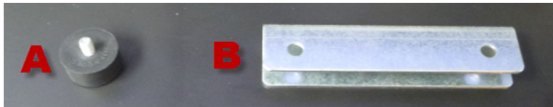
TRUCK VAULT
SECURE STORAGE SOLUTIONS

Materials Included:

8 - 2" Flat head wood screws
12 - 2" Round head wood screws
2 - 3" Self tapping screws
4 - Turnbuckles 050.0042
2 - Rear lockdown brackets 201.013.08

Congratulations! You now own the finest secure cargo bed storage system on today's market. Enjoy the confidence you'll experience when traveling with your valuables safely locked in your TruckVault.

1. Open the TruckVault drawers just far enough to reach in and unscrew the rubber stoppers (A) and the four screws from the anti break-in brackets (B) attached to the underside of the top. Now completely remove the drawers and set aside. **(Note: not all Truckvault drawers will have anti break-in brackets.)**



2. Remove faceplates (D), lids (G), wings (F), and gussets (B) from drawers. Parts in the left drawer are to be mounted on the left side of drawer box (A) and parts in the right drawer are to be mounted on the right side of drawer box (A).
3. Remove factory Tie down rings at cab end of pickup bed. Install supplied lockdown brackets (J) using the factory bolts.
4. Carefully slide drawer box (A) into the cargo area of your vehicle.
5. Attach the gussets (B) to the ledgers (C) through the pre-drilled holes with the 2" flat head wood screws.
6. Attach faceplates (D) to ledgers (E) with four of the 2" round head wood screws through the pre-drilled holes. Set lids (G) and wings (F) in place adjusting the position of the drawer box to center if necessary.
7. Remove the lids and wings. Hook two turnbuckles to the front tie down rings of the pickup bed and the front D-rings (H) on the sides of the Vault. Hook the remaining turnbuckles to brackets (J) and to the rear D-rings (H). Tighten the turnbuckles snugly by hand then turn 1 time with the 5/8" wrench. Tighten the jam nut on the turnbuckle with the 9/16" wrench. Replace the lids and wings. Attach the wings (F) with the remaining 2" round head wood screws through the pre-drilled holes.
8. OPTIONAL: Locate the lock down holes (I) in the bottom of box (A). Carefully check underneath vehicle to make sure there is nothing below these holes, such as wiring, gas tank, spare tire, etc. Choose 1 hole on each side of box and using the 1/8" drill bit drill pilot holes. Insert the two 3" self-tapping screws through the holes in the box and using a power drill/driver and a 5/16" socket tighten down snugly. Make sure the heads of the screws are below the top edge of holes.
9. Reinstall drawers, U-brackets and rubber stoppers by reversing the procedure in step 1.