

Congratulations! You now own the finest secure cargo bed storage system on today's market. Enjoy the confidence you'll experience when traveling with your valuables safely locked in your TruckVault.

Installations instructions for:

2018+ Expedition 3rd Row Folded and Upright

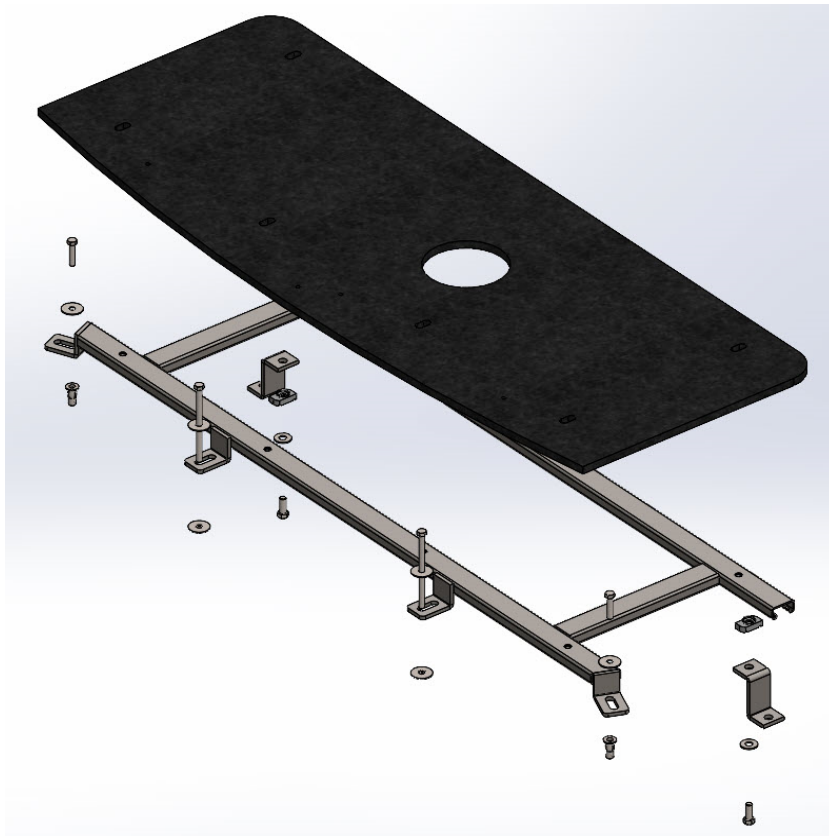
Order #: _____

Tools Required:

Small phillips screwdriver
Ratchet
10mm socket
18mm socket
7/16" socket
1/2" socket
1/2" drill bit
1/8" drill bit
3/8" drill bit
9/16" open end wrench

Materials included:

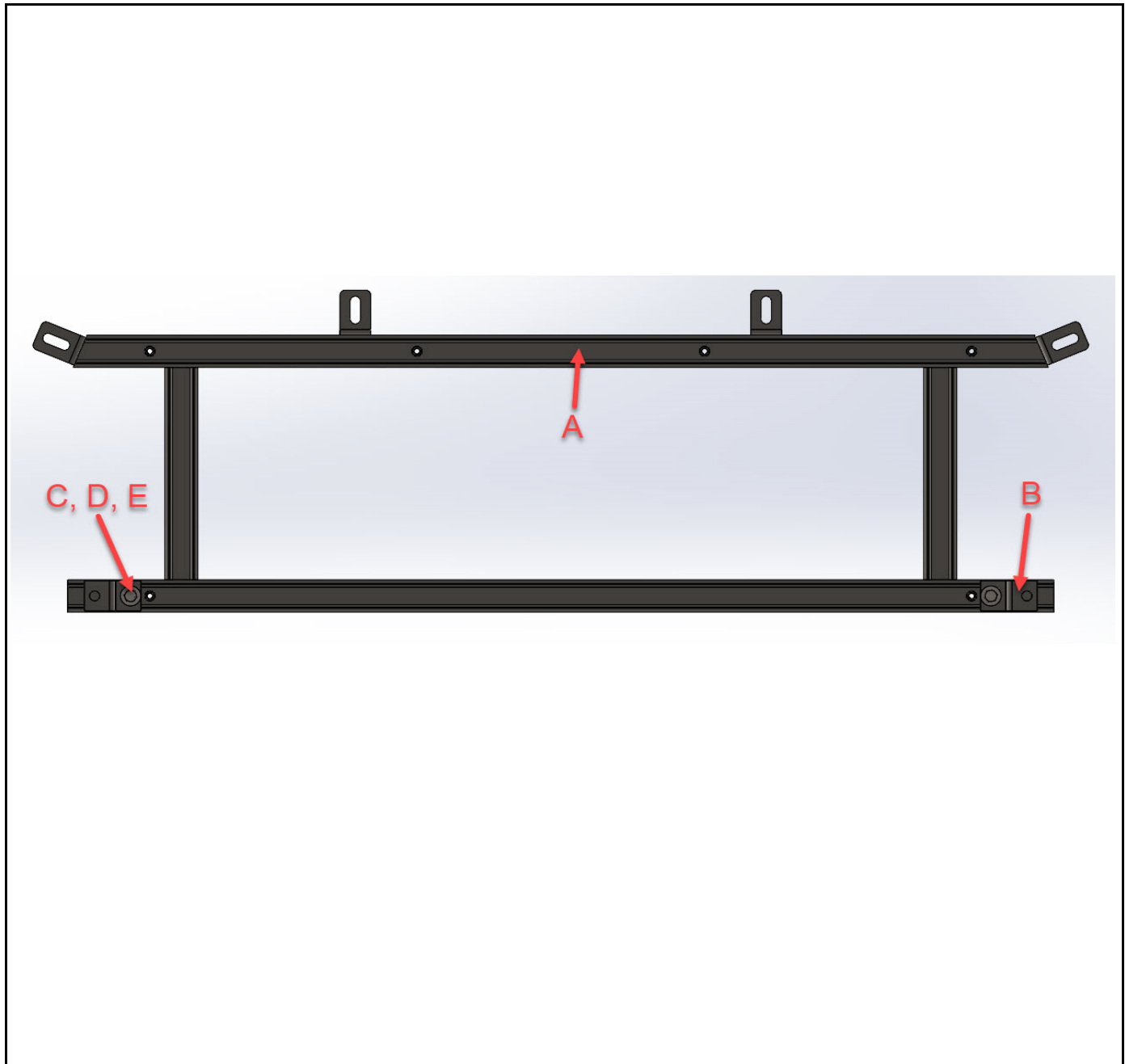
Qty.	Description	Part#
2	5/16 PLUS NUT	030.0217
2	1" x 4' Strap w/carabiner	050.0400
2	5/16 - 18 x 1-1/2" Hex Bolt	030.0121
1	5/16 - 18 x 2" Hex Bolt	030.0122
2	Screws, MS PPH 10-24 x 1/2	030.0094
10	5/16 x 1 1/4" x.12 THICK	030.0500THK
4	5/16-18x3 Hex Bolt	030.0190
1	3/8"-16 Plus Nut Flare Tool -	050.0032RED
2	5/16"-18 x 1.57" Connector Bol	030.0163
1	Expedition Platform 3rd Folded	200.018.00
2	Tie Down Strap Brackets	200.018.04
1	5mm Hex Key Allen Wrench	040.0241
2	5/16-18 x 5 Hex Bolt	030.0164
2	Channel Nut Short Spring	040.0214
2	3/8 x 1" Washer	030.0066
2	3/8 x 1" Hex Bolt	030.0060
2	2018 Ford Expedition Mounting Bracket Rear Foot	200.018.02



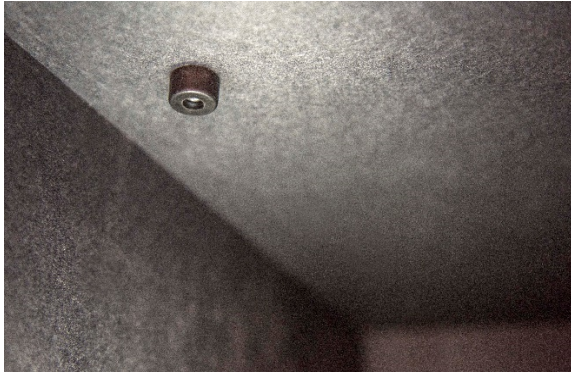
Parts Index:

Part	Description
A	Bracket Frame
B	Rear Foot
C	3/8" Spring Nut
D	3/8" x 1" Hex Bolt
E	3/8" x 1" Washer
F	
G	
H	

Part	Description
I	
J	
K	
L	
M	
N	
O	
P	



1



Open the TruckVault drawers just far enough to reach in and unscrew the rubber stoppers attached to the underside of the top. Now completely remove the drawers and set aside.

2



To remove drawers with KV Slides, pull the drawer out to its fullest extension. Grip the sides of the drawer front while pressing the tabs inward.

3



Keep the tabs pressed in while lifting up on the drawer.

4



Open the cargo cover lid and remove the jack storage compartment using the 10mm socket. You will need to relocate the jack and accessories.

5



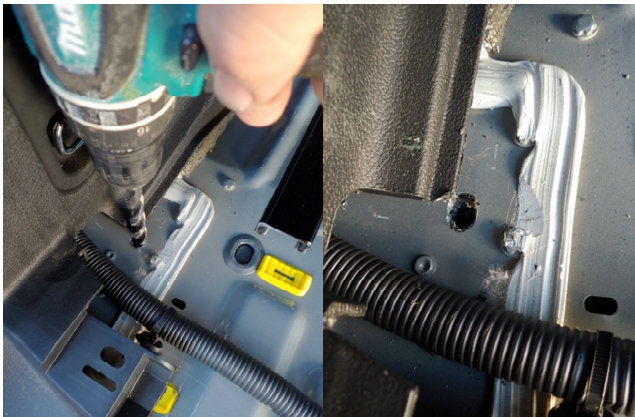
Remove the antenna sensor from the under side of the cargo tray using a 10mm socket.

6



Place the mounting bracket in the rear of vehicle, aligning back holes in the bracket to the holes in the floor of the vehicle, and secure using the bolts factory bolts. Leave bolts loose as you will need to remove the bracket for plus nut installation.

7



Using a 1/2" drill bit, drill out the foam in the side holes on both sides of the vehicle for plus nut installation.

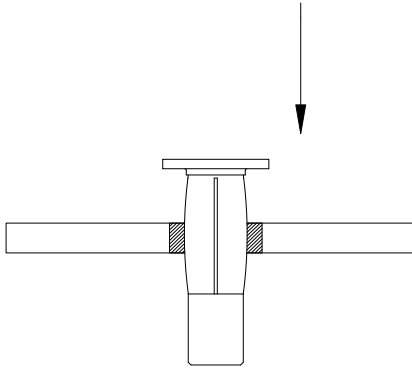
8



Note: Some of the rubber sealant may have to be trimmed down to allow the bracket feet to sit flat.

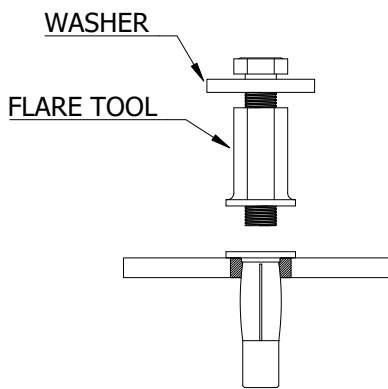
9

Insert the Plus-Nut into the 1/2" drilled hole.



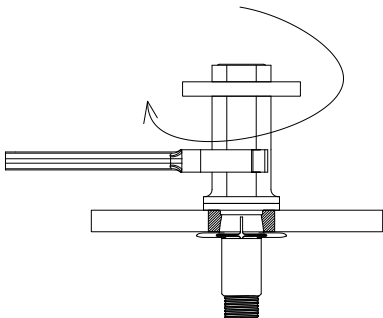
10

Attach one 5/16 washer and the flare tool onto the 2" bolt and thread into the Plus-Nut.



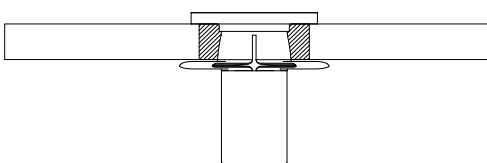
11

Tighten the bolt with an impact to collapse the insert.



12

Remove the bolt, washer, and flare tool. The Plus-Nut is ready for use.



13



Move the bracket back into place lining up the holes in the brackets with the factory bolts and Plus-Nuts. Bolt down the bracket using the factory bolts in the back.

14



Carefully check underneath the vehicle to make sure there is nothing below the bracket front holes such as wiring, gas tank, spare tire etc. Drill a 1/8" pilot hole through the front of the bracket hole. **(Note: A minimum 5" long drill bit must be used to go through upper and lower layers of the cargo area.)** Move the mounting bracket out of the way. Drill a 3/8" hole where the 1/8" pilot hole was drilled.

15



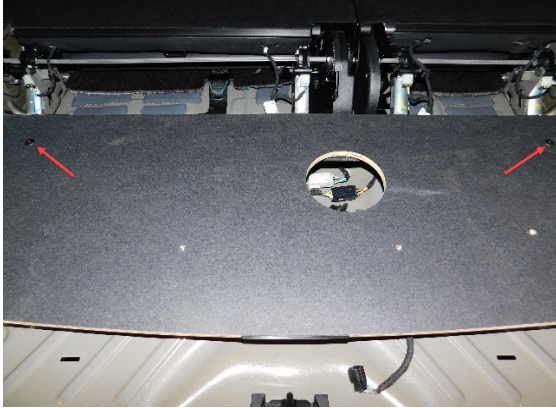
Bolt down the front of the bracket using two 5/16 x 1 1/2" hex bolts & 1 1/4" washers on the outside feet and the supplied 5/16 x 5" bolts and washers on the middle two feet.

16



Attach the antenna sensor to the bottom of the cargo cover with the supplied 10-24 x 1/2" machine screws.

17



Place cargo cover onto the bracket ensuring the holes are aligned. Secure rear of cargo cover to the bracket using (2) 5/16-18 connector bolts.

18



Locate the 3rd row seat attachment bolts from inside the vehicle. Remove the plastic covers on the far driver & passenger sides of the vehicle. Use a small flathead screw driver to pry off the plastic cover.

19



Remove the bolt using a 18mm socket. Install the tie down strap brackets & re-attach the factory bolt.

20



Loop the end of the tie down strap through the installed bracket. Feed the snap hook through the loop in the end of the strap. Pull snap hook & cam buckle all the way through.

21



Fold down the 3rd row seat. With help, carefully install the TruckVault into the cargo area.

22



Using (3) 5/16" x 3" hex bolts and fender washers, line up the bolts with the inserts in the front of the cover.

23



Once all the bolts are started, tighten them all down.

24



Hook the end of the snap hook onto the D-ring on the back of the Vault.

25



Pull the strap snug to tighten the Vault to the floor of the vehicle. Fold the seats back into their normal position. Reinstall the drawers and rubber stoppers by reversing the procedure in step 1.

1



If any drawers or cover-caps are above the spare access location, then remove them from the vault. **NOTE: some drawers may have cover-caps inside, which align with spare access when the drawer is closed.**

2



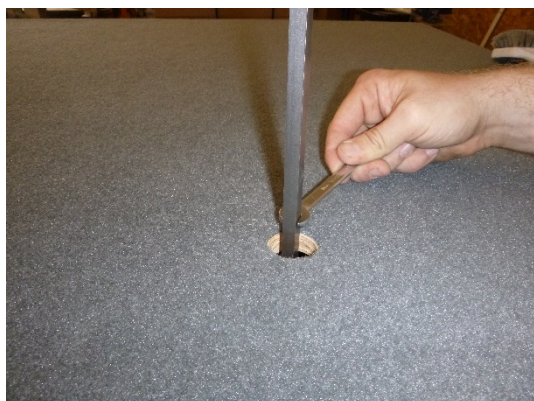
Reach in through the bottom of the TruckVault and through the cargo cover. Remove the cover cap from the spare tire access hole.

3



Insert the spare access rod through the hole in the top of the Vault and into the spare tire release. You may have to rotate the tool to line it up with the release.

4



Using the 10mm wrench, lower the spare tire from the bottom of the vehicle.